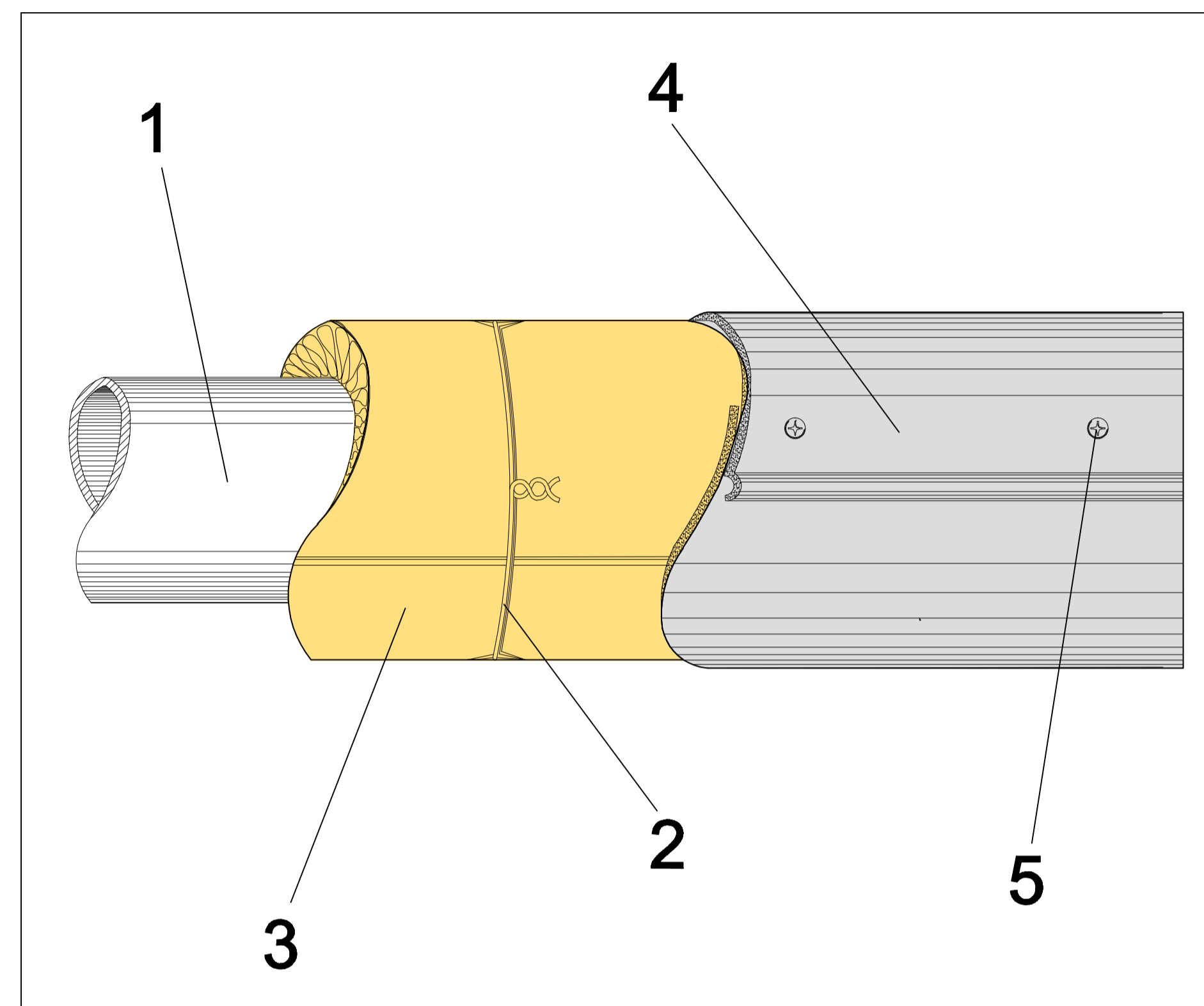
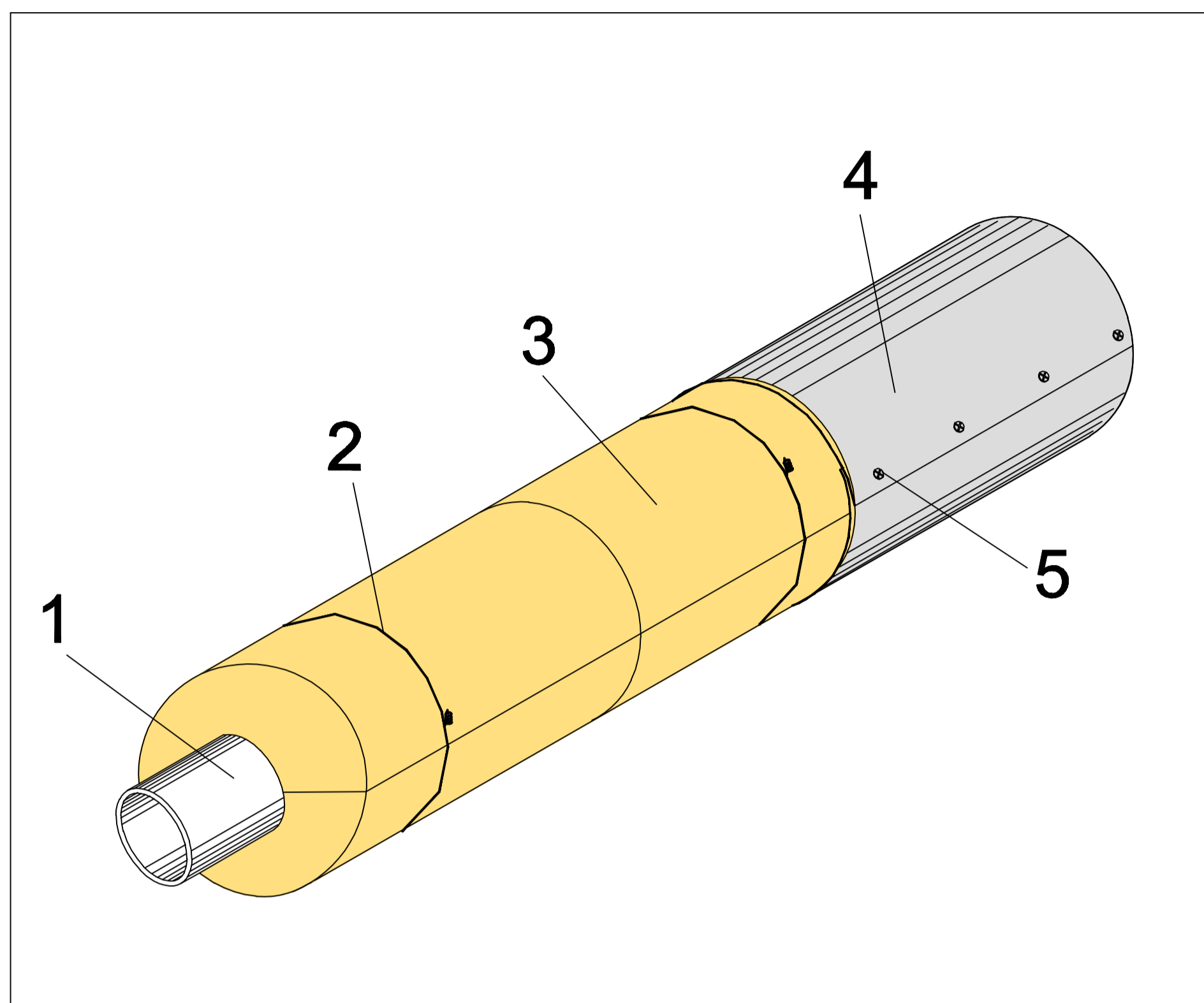
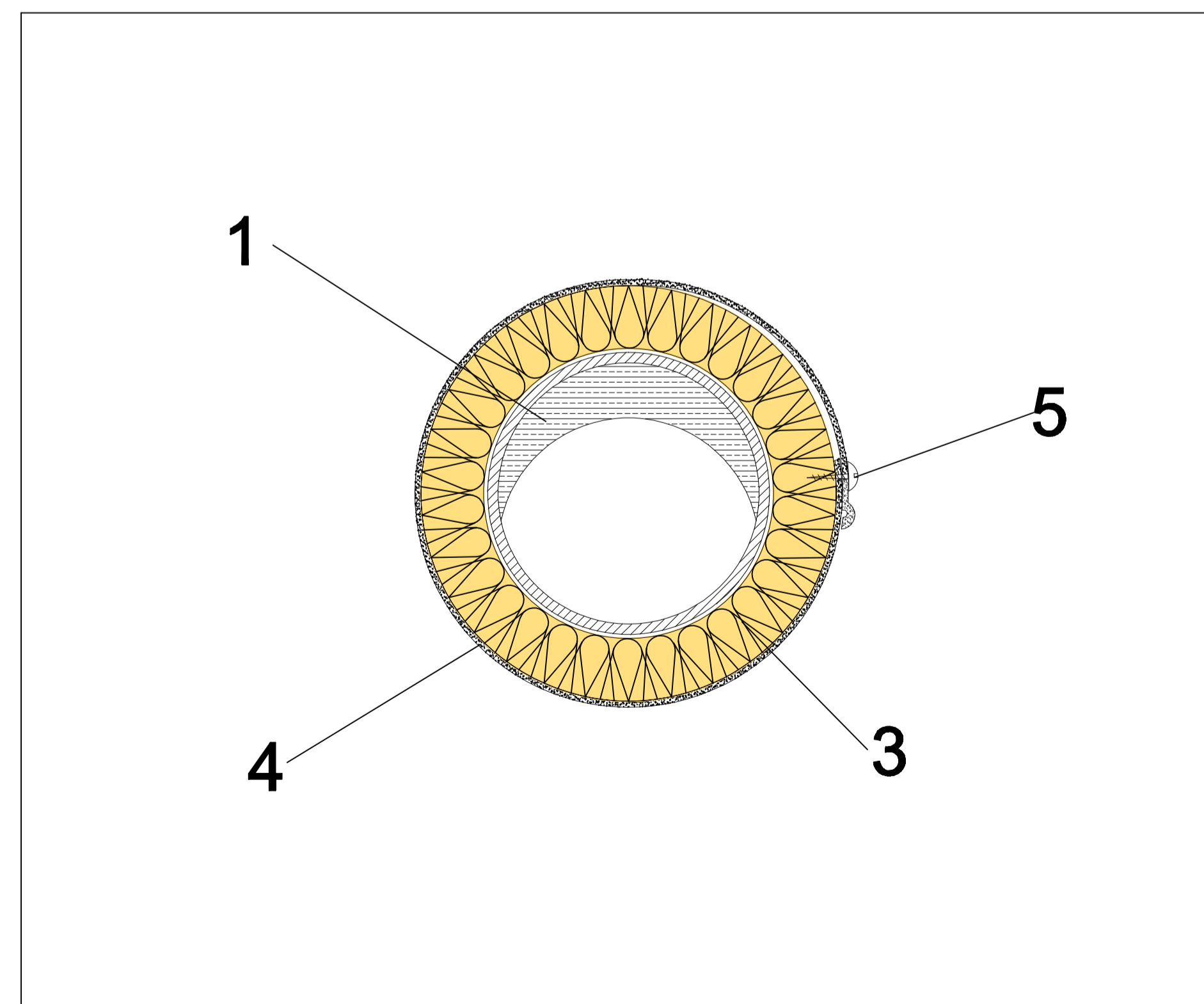


DETALLE TRAMO RECTO



- 1 - TUBERÍA.
- 2- LAZADA DE ALAMBRE.
- 3- COQUILLA DE LANA MINERAL ISOVER.
- 4- REVESTIMIENTO.
- 5- TORNILLO ROSCA



Itemref	Quantity	Title/Name, designation, material, dimension etc	Article No./Reference
Designed by A.R.S.	Checked by N.B.P. y F.P.H.	Approved by - date DTC - 28/06/11	Filename COQUILLAS
SG ISOVER		COQUILLAS	
Edition 0		1	Sheet 1/1